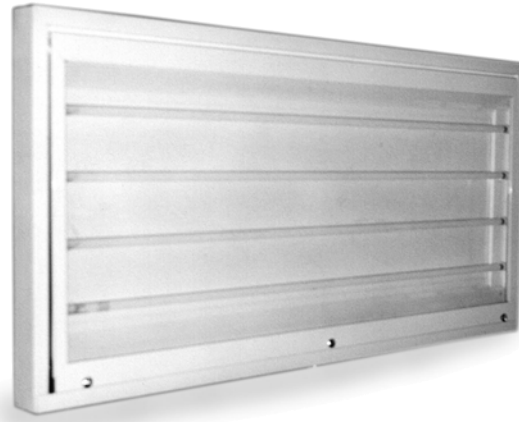




440T/THO SERIES

T-5 or T5HO TROFFER

DATE: _____	PROJECT MGR: _____
JOB: _____	
CAT#: _____	
TYPE: _____	



- TASK ①
- PAINTBOOTH ②**
- VAPOR DUST ③
- VAPOR ④
- WET DAMP ⑤
- MARINE ⑥
- EXPLOSION PROOF ⑦
- HID ⑧
- INSPECTION ⑨
- PORTABLE LIGHTING ⑩
- MOUNTING ⑪
- PHOTOMETRY ⑫
- LAMPS BALLASTS ⑬
- INFO ⑭
- CUSTOM ⑮
- ASK THE EXPERT ⑯

DESCRIPTION

The Series 440T / 440THO is a slim 2 - 1/4" product that is suited to being used in paint spray booths & clean room applications where a lay-in troffer application is desired. The Series 440T / 440THO is a Vapor & Dust proof product with ETL listings of Class I Division 2 & Class II Division 2. This series comes in 4 lamp configurations of either T5 28W or T5HO 54W lamps, both utilize a microbolic insert for increased light output.

SPECIFICATIONS

- LISTINGS:** ETL listed for U.S. and Canada
 Class I Division 2 Groups A,B,C,D
 T3C (160 degree C) Operating Code
 Class II Division 2 Groups F & G
 T3C (160 degree C) Operating Code
 Listed for locations having deposits of readily combustible paint residues.
- HOUSING:** 20 Gauge enclosed Sealed & Gasketed post painted white powder coated finish.
 Front Access troffer style. Standard lay-in mounting.
 Highly reflective white finish with microbolic insert for increased light output.
 90 degree self-contained hinge system (reduces overspray and dust)
- LENS:** 3/16" prismatic tempered glass lens.
- ELECTRICAL:** 120-277 Volt universal ballast. Hub location varies,
 Dependant on mounting style and customer preference.
 Paint spray cutoff switch for front door frame access.
- APPLICATIONS:** Paint Spray Booth lighting.
 Vapor & Dust Proof Applications
 Clean Rooms
- OPTIONS:** **All Options Ordered Separately**
 5902: 8 Ft. 5-wire whip
- **MOUNTING KITS - Ordered Separately** - See next Page
 - 3330-Surface Mount, 3331-Recessed Flange Mount or 3332-Box Panel Mount
- NOTE:** Normally open magnetic switches are intended to be used to trigger a relay (furnished by others) which disables the paint system. Because of the small capacity of the switch a solid state relay is recommended. It may be desired by others to utilize a separate power supply to segregate the relay (furnished by others) from the lighting power supply. The Magnetic Switch **IS NOT** designed to directly control light operation!
The Magnetic Switch is rated for 10 watts resistive at a maximum of 300 VAC.
- CAUTION:** Overloading the switch circuits **WILL** cause failure.
 LDPI, Inc. recommends having a certified electrician/engineer review loads to ensure that overloading of switch does not occur.



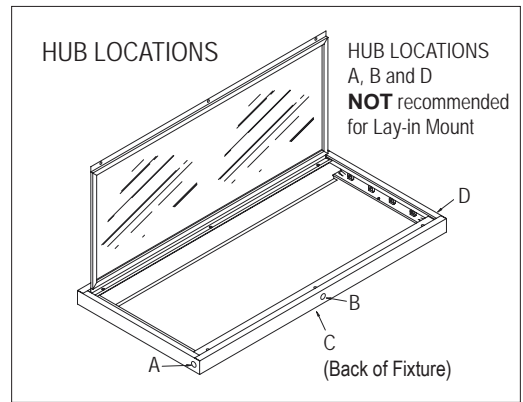
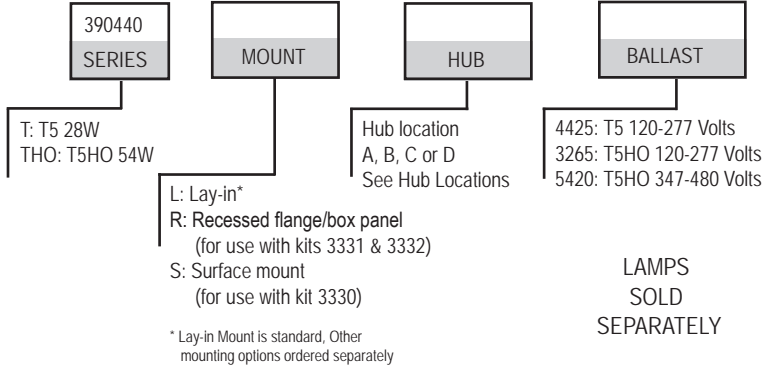


440T/THO SERIES

T-5 or T5HO TROFFER

PART NUMBERS

- ① TASK
- ② PAINTBOOTH
- ③ VAPOR DUST
- ④ VAPOR
- ⑤ WET DAMP
- ⑥ MARINE
- ⑦ EXPLOSION PROOF
- ⑧ HID
- ⑨ INSPECTION
- ⑩ PORTABLE LIGHTING
- ⑪ MOUNTING
- ⑫ PHOTOMETRY
- ⑬ LAMPS BALLASTS
- ⑭ INFO
- ⑮ CUSTOM
- ⑯ ASK THE EXPERT



DIMENSIONS & MOUNTING (Ordered Separately)

Mounting Methods
 Ceiling Lay-In for 2' X 4' Grid (standard) Surface Mount: Kit P/N 3330
 Recessed Flange Mount: Kit P/N 3331 Box Panel Mount: Kit P/N 3332

