



SLIM LIGHT SERIES

VAPOR / DUST PROOF LIGHTING

DATE: _____	PROJECT MGR: _____
JOB: _____	
CAT#: _____	
TYPE: _____	



- TASK ①
- PAINTBOOTH ②**
- VAPOR DUST ③
- VAPOR ④
- WET DAMP ⑤
- MARINE ⑥
- EXPLOSION PROOF ⑦
- HID ⑧
- INSPECTION ⑨
- PORTABLE LIGHTING ⑩
- MOUNTING ⑪
- PHOTOMETRY ⑫
- LAMPS BALLASTS ⑬
- INFO ⑭
- CUSTOM ⑮
- ASK THE EXPERT ⑯

DESCRIPTION

The Slim Light Series features a 20 Ga. baked white enamel steel housing that is only 2 1/4" thick maximizing the available space allowed for your paint spray booth. The Slim Light Series is available in lengths of 3 & 4' with 2, 4 or 6 lamp options. The 3' fixtures are available with T8 lamps. The 4' fixtures are available with T5HO or T8 lamps. This series provides front door frame access with a paint spray cutoff switch when opened. ETL listed in the U.S. and Canada, the Slim Light Series has multiple listings for inside access and wet locations. **Must be mounted hinge side up.**

SPECIFICATIONS

- LISTINGS:** ETL listed for U.S. and Canada
Class I Division 2 Groups A,B,C,D
T3C (160 degree C) Operating Code
Class II Division 2 Groups F,G
T3C (160 degree C) Operating Code
(The Slim Light 420 & 440 in T8 are also UL listed for Class I Division 2 Groups A, B, C, & D.)
Listed for locations having deposits of readily combustible paint residues.
- HOUSING:** 20 Gauge steel construction with white baked enamel finish which creates a durable, highly reflective finish.
The housing is a front access for convenient access, and the 2 1/4" depth maximizes the space needed for the paint spray booth.
- LENS:** 3/16" Clear tempered glass.
- ELECTRICAL:** Paint spray cutoff switch in the front door frame.
Available in 3' / 25W T8 lamps, 4' / 32W T8, 54W T5HO lamps.
Voltages of 120, 277 & 347 Volts. (347 Volt in 25 & 32 Watt products only)
- APPLICATIONS:** Paint Spray Booths
- OPTIONS:** **All Options Ordered Separately**
EM: Emergency Battery Backup Ballast
120 or 277V **MUST SPECIFY**
5902: 8 Ft. 5-wire whip
Corner/Hip Mount #4714 See Page 11.6 (Available for the 390440J-3546 fixture ONLY)
- NOTE:** Normally open magnetic switches are intended to be used to trigger a relay (furnished by others) which disables the paint system. Because of the small capacity of the switch a solid state relay is recommended. It may be desired by others to utilize a separate power supply to segregate the relay (furnished by others) from the lighting power supply. The Magnetic Switch **IS NOT** designed to directly control light operation!
The Magnetic Switch is rated for 10 watts resistive at a maximum of 300 VAC.
- CAUTION:** Overloading the switch circuits **WILL** cause failure. LDPI, Inc. recommends having a certified electrician/engineer review loads to ensure that overloading of switch does not occur.





SLIM LIGHT SERIES

VAPOR / DUST PROOF LIGHTING

PART NUMBERS

- ① TASK
- ② PAINTBOOTH
- ③ VAPOR DUST
- ④ VAPOR
- ⑤ WET DAMP
- ⑥ MARINE
- ⑦ EXPLOSION PROOF
- ⑧ HID
- ⑨ INSPECTION
- ⑩ PORTABLE LIGHTING
- ⑪ MOUNTING
- ⑫ PHOTOMETRY
- ⑬ LAMPS BALLASTS
- ⑭ INFO
- ⑮ CUSTOM
- ⑯ ASK THE EXPERT

Series	Watt	Lamp Qty	Hub	Order #	Order #	Voltage
300 SERIES - 3 Foot	390320 (2 lamp)	2	1/2" NPT	390320	3613*	120-277 Volts 50/60 Hz
		2	1/2" NPT	390320347	3276	347 Volts 60 Hz
	390340 (4 lamp)	4	1/2" NPT	390340	3546	120-277 Volts 50/60 Hz
		4	1/2" NPT	390340347	3125	347 Volts 60 Hz
	390360 (6 lamp)	6	1/2" NPT	390360	3546	120-277 Volts 50/60 Hz
		6	1/2" NPT	390360347	3125	347 Volts 60 Hz
400 SERIES - 4 Foot	390420 (2 lamp)	2	1/2" NPT	390420	3613*	120-277 Volts 50/60 Hz
		2	1/2" NPT	390420347	3276	347 Volts 60 Hz
	32W T8HLO	2	1/2" NPT	390420120	1744	120 Volts 50/60 Hz
		2	1/2" NPT	390420277	1766	277 Volts 50/60 Hz
	54W T5HO	2	1/2" NPT	390420	3265	120-277 Volts 50/60 Hz
		2	1/2" NPT	390420	5420	347-480 Volts 50/60 Hz
	390440 (4 lamp)	4	1/2" NPT	390440	3546*	120-277 Volts 50/60 Hz
		4	1/2" NPT	390440347	3125	347 Volts 60 Hz
		4	1/2" NPT	390440120	1744	120 Volts 50/60 Hz
	32W T8HLO	4	1/2" NPT	390440277	1766	277 Volts 50/60 Hz
		4	1/2" NPT	390440	4843	120-277 Volts 50/60 Hz
	54W T5HO	4	1/2" NPT	390440347	5421	347-480 Volts 50/60 Hz
390460 (6 lamp)		6	1/2" NPT	390460	3546*	120-277 Volts 50/60 Hz
	6	1/2" NPT	390460347	3125	347 Volts 60 Hz	
	6	1/2" NPT	390460120	3124	120 Volts 50/60 Hz	
32W T8HLO	6	1/2" NPT	390460277	3277	277 Volts 50/60 Hz	
	6	1/2" NPT	390460	3265	120-277 Volts 50/60 Hz	
54W T5HO	6	1/2" NPT	390460	5420	347-480 Volts 50/60 Hz	



LAMPS SOLD SEPARATELY

All Options Ordered Separately

**Normally stocked fixture consult factory for lead times on non-stock products.*

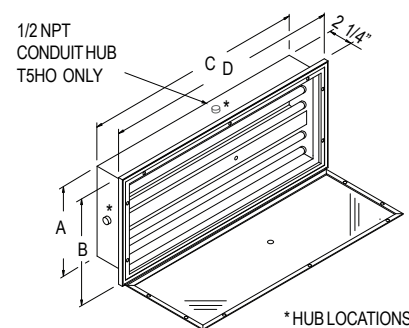
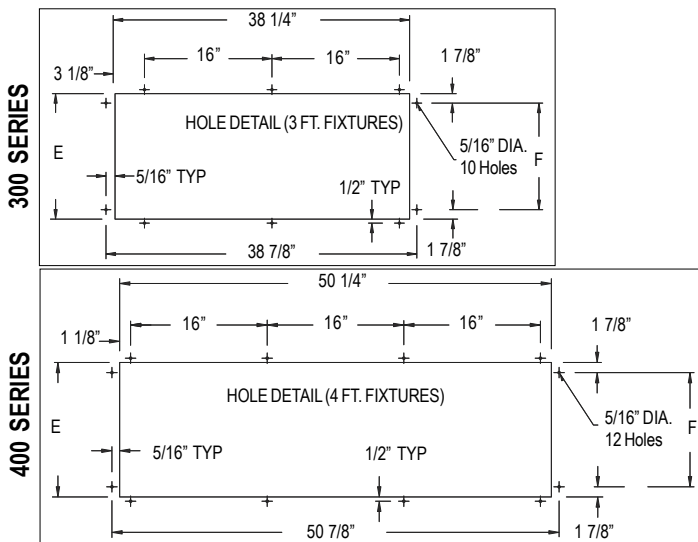
DIMENSIONS

Mounting - See Page 11.6 - 11.7

TYPE	E	F
2 LAMP	10 3/4"	7"
4 LAMP	15 3/4"	12"
6 LAMP	20 3/4"	17"

TYPE	MODEL	A	B	C	D
3 FT. 2 LAMP	390320	9 1/2"	13"	38"	39-7/8"
3 FT. 4 LAMP	390340	14 1/2"	18"	38"	39-7/8"
3 FT. 6 LAMP	390360	19 1/2"	23"	38"	39-7/8"
4 FT. 2 LAMP	390420	9 1/2"	13"	50"	51-7/8"
4 FT. 4 LAMP	390440	14 1/2"	18"	50"	51-7/8"
4 FT. 6 LAMP	390460	19 1/2"	23"	50"	51-7/8"

NOTE: LIGHT FIXTURE'S GLASS FRAME EXTENDS 3/8" INTO BOOTH WHEN MOUNTED IN BOOTH PANEL.

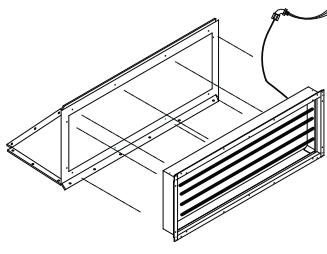




CORNER/HIP MOUNT

FOR 440 SLIM LIGHT FIXTURE

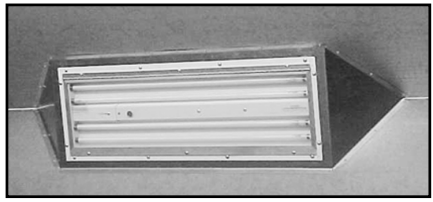
- ① TASK
- ② PAINTBOOTH
- ③ VAPOR DUST
- ④ VAPOR
- ⑤ WET DAMP
- ⑥ MARINE
- ⑦ EXPLOSION PROOF
- ⑧ HID
- ⑨ INSPECTION
- ⑩ PORTABLE LIGHTING
- ⑪ MOUNTING
- ⑫ PHOTOMETRY
- ⑬ LAMPS BALLASTS
- ⑭ INFO
- ⑮ CUSTOM
- ⑯ ASK THE EXPERT



Horizontal or Vertical Mounting Corner/Hip Light Kit
The following is an acceptable method of installing panel mounted fixtures into the corner of a paint spray booth.

FEATURES
P/N: 4714
To reduce shadowing, corner or hip lighting is ideal. Corner light mounting option is available for the 390440J-3546 Slim Light. (Page 2.7).
Shipping weight: 14#.
(Fixture sold separately)

NOTE: All wiring must be performed by a certified electrician and in accordance with all national and local electrical codes and regulations.



Paint Booth Corner or Hip mount for fluorescent lighting

DESCRIPTION

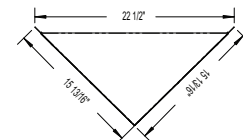
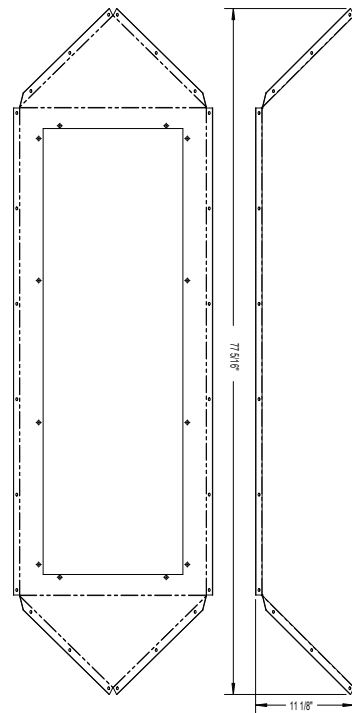
Corner or Hip mount for 390440J-3546 Slim Light fixture.
Can be installed vertically in a corner, or horizontally in the hip of the booth.
Includes all components required to install kit and route wiring conductors out of booth.

SPECIFICATIONS

- HOUSING:** Rigid one piece formed housing constructed of 20 gauge Prepaint steel.
- REQUIREMENTS:** Fixture must be rated Class I, Div. 2 and with inside access listing for use in a paint spray booth.
- Panel construction must meet the requirements of NFPA 33 Chapter 3, "Construction and Design of Spray Areas, Spray Rooms, and Spray Booths."
- Fixture installation wiring to meet the requirements of NFPA 33 Chapter 4, "Electrical and Other Sources of Ignition."

- Kit (Delivered unassembled) Includes:**
- Self tapping screws to mount panel to booth
 - Bolts/Nuts to mount fixture to panel.
 - Wire whip pre-wired to fixture.
 - (4) feet of 1/2" Liquid-Tite Flexible conduit
 - 90° Flex connector to exit booth
 - Straight flex connector to secure flex to fixture
 - (1) Tube of caulk to seal around panel and fixture perimeter

NOTE:
Mounting requires drilling 7/8" hole in booth wall or ceiling to route flex conduit out of booth.

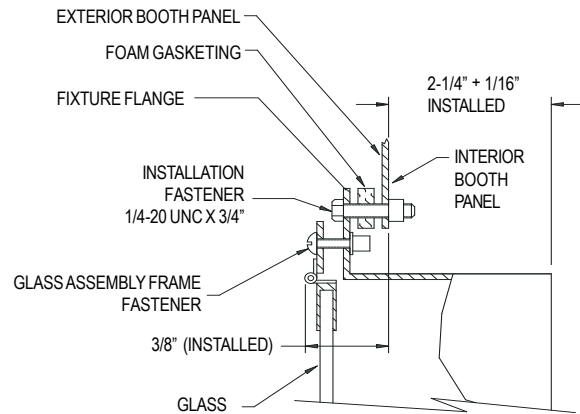
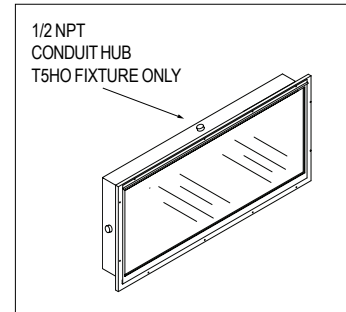
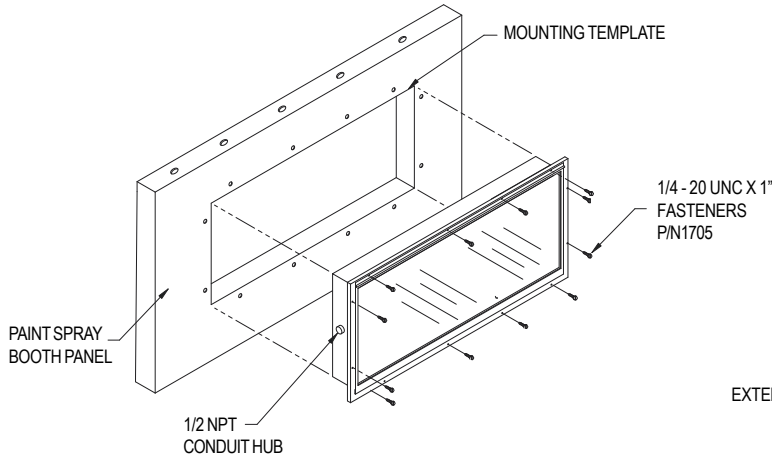




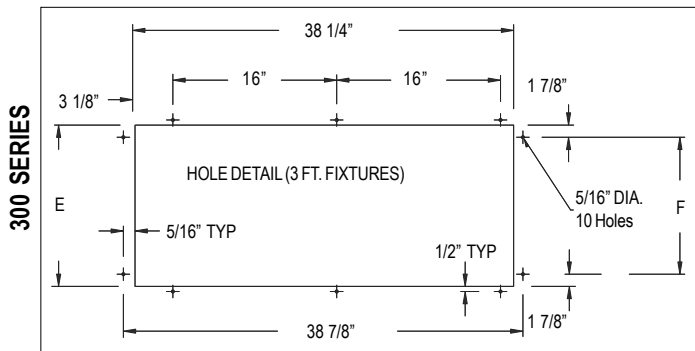
MOUNTING

FOR LDPI, INC. FIXTURES

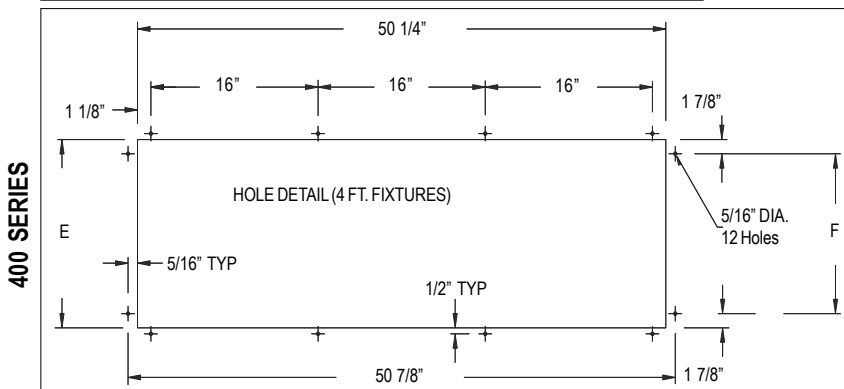
Slim Light Series



Slim Light Series Mounting Hole Detail



HOLE DETAIL DIMENSIONS		
TYPE	E	F
2 LAMP FIXTURE	10 3/4"	7"
4 LAMP FIXTURE	15 3/4"	12"
6 LAMP FIXTURE	20 3/4"	17"



- TASK ①
- PAINTBOOTH ②
- VAPOR DUST ③
- VAPOR ④
- WET DAMP ⑤
- MARINE ⑥
- EXPLOSION PROOF ⑦
- HID ⑧
- INSPECTION ⑨
- PORTABLE LIGHTING ⑩
- MOUNTING ⑪**
- PHOTOMETRY ⑫
- LAMPS BALLASTS ⑬
- INFO ⑭
- CUSTOM ⑮
- ASK THE EXPERT ⑯