



241 SERIES

VAPOR / DUST PROOF LIGHTING

DATE: _____	PROJECT MGR: _____
JOB: _____	
CAT#: _____	
TYPE: _____	



- TASK (1)
- PAINTBOOTH (2)**
- VAPOR DUST (3)
- VAPOR (4)
- WET DAMP (5)
- MARINE (6)
- EXPLOSION PROOF (7)
- HID (8)
- INSPECTION (9)
- PORTABLE LIGHTING (10)
- MOUNTING (11)
- PHOTOMETRY (12)
- LAMPS BALLASTS (13)
- INFO (14)
- CUSTOM (15)
- ASK THE EXPERT (16)

DESCRIPTION

The 241Series is an ideal product for a multitude of areas including Paint Spray Booths, Prep Areas, Inspection areas, Sanding or Machining Areas, even where Grain or Coal Dust may be a concern. This 4 lamp 4' fixture is available in wattages including 32, 40, 44, 54, and 60 watts with a rear access piano hinged door for easy access to lamps and ballast. The 241 Series carries multiple listings from UL and ETL for Class I Div. 2 & Class II Div. 2 applications. **Must be mounted hinge side up.**

SPECIFICATIONS

LISTINGS:

- ETL listed for U.S. and Canada
 - Class I Division 2 Groups A,B,C,D
 - T3C (160 degree C) Operating Code
 - Class II Division 2 Groups F,G
 - T3C (160 degree C) Operating Code
- Listed for damp locations
- Listed for locations having deposits of readily combustible paint residues.
- UL listed for U.S.
 - Class I Division 2 Groups A,B,C,D
 - T3C (160 degree C) Operating Code



FEATURES:

- Piano hinged rear access fixture.
- Spring loaded lamp holders - T8 only

ELECTRICAL:

- Available in 32, 40, 44, 54, and 60 Watts in T5HO, T8, T8HO, T12, & T12HO lamps.
- Voltages of 120, 277, & 347 Volts.

APPLICATIONS:

- Paint Spray Booths, Prep areas, Inspection areas, Sanding, Machining, Coal & Grain dust

OPTIONS:

- All Options Ordered Separately**
- Tempered Glass Lens #1706
- EM: Emergency Battery Backup Ballast
- 120 or 277V **MUST SPECIFY**
- 5901: 8 Ft. 3-wire whip

- **MOUNTING KITS - Ordered Separately** - See Page 11.3
- 4692: Installation Kit



241 SERIES

VAPOR / DUST PROOF LIGHTING

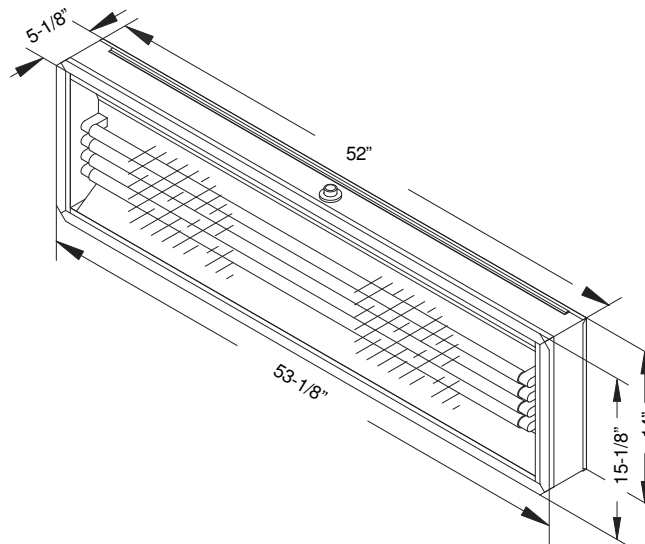
PART NUMBERS

- ① TASK
- ② PAINTBOOTH
- ③ VAPOR DUST
- ④ VAPOR
- ⑤ WET DAMP
- ⑥ MARINE
- ⑦ EXPLOSION PROOF
- ⑧ HID
- ⑨ INSPECTION
- ⑩ PORTABLE LIGHTING
- ⑪ MOUNTING
- ⑫ PHOTOMETRY
- ⑬ LAMPS BALLASTS
- ⑭ INFO
- ⑮ CUSTOM
- ⑯ ASK THE EXPERT

Series	Watts	Lamp Qty	Hub	Order #	Order #	Voltage
390241	54W T5HO	4	1/2" NPT	390241	4843	120-277 Volts 50/60HZ
	32W T8	4	1/2" NPT 1/2" NPT	390241 390241347	3546 3125	120-277 Volts 50/60HZ 347 Volts 60HZ
	32W T8HLO	4	1/2" NPT	390241120	1744	120 Volts 60HZ
			1/2" NPT	390241277	1766	277 Volts 60HZ
	44W T8HO	4	1/2" NPT	390241120	4157	120 Volts 60HZ
			1/2" NPT	390241277	3792	277 Volts 60HZ
	40W T12	4	1/2" NPT	390241120	1748	120 Volts 60HZ
		4	1/2" NPT	390241277	1712	277 Volts 60HZ
		4	1/2" NPT	390241347	3278	347 Volts 60HZ
	60W T12HO	4	1/2" NPT	390241120	3260	120 Volts 60HZ
			1/2" NPT	390241277	3222	277 Volts 60HZ

LAMPS SOLD SEPARATELY
(Multiple voltages available, consult factory)
Mounting Options - See Page 11.3

DIMENSIONS





MOUNTING

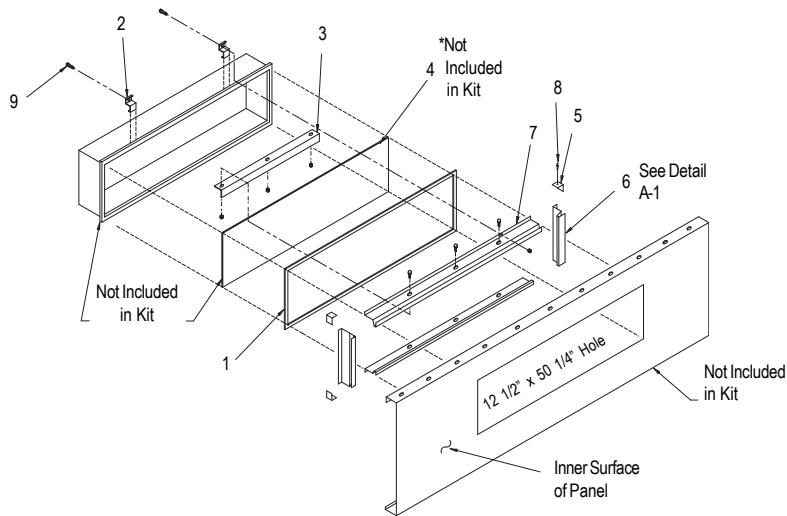
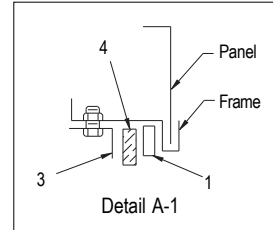
FOR LDPI, INC. FIXTURES

241 Series

PN: 4692 Installation kit

Item	Description	Qty.
1.	1/2" x 3/4" Gasket	12'
2.	Light Clip	4
3.	Glass Clip	2
4.	Clear Tempered Glass 3/16" x 15" x 53"	1
	*Not included in kit. Ordered separately as P/N 1706	
5.	1 1/2" x 1 1/2" Corner Bracket	4
6.	Frame (15 3/4" Long)	2
7.	Frame (53 1/2" Long)	2
8.	1/8" Pop Rivet	8
9.	Nut Hex1/4 - 20 Zinc Coated HHCS 1/4 - 20 Zinc Coated Installation Sketch	10 1

Installation Detail



TASK ①

PAINTBOOTH ②

VAPOR DUST ③

VAPOR ④

WET DAMP ⑤

MARINE ⑥

EXPLOSION PROOF ⑦

HID ⑧

INSPECTION ⑨

PORTABLE LIGHTING ⑩

MOUNTING ⑪

PHOTOMETRY ⑫

LAMPS BALLASTS ⑬

INFO ⑭

CUSTOM ⑮

ASK THE EXPERT ⑯