



# 383 SERIES

## EXPLOSION PROOF INCANDESCENT

DATE:	_____	PROJECT MGR:	_____
JOB:	_____		
CAT#:	_____		
TYPE:	_____		



Pendant Mount



Ceiling Mount



Bracket Mount

TASK ①

PAINTBOOTH ②

VAPOR DUST ③

VAPOR ④

WET DAMP ⑤

MARINE ⑥

EXPLOSION PROOF ⑦

HID ⑧

INSPECTION ⑨

PORTABLE LIGHTING ⑩

MOUNTING ⑪

PHOTOMETRY ⑫

LAMPS BALLASTS ⑬

INFO ⑭

CUSTOM ⑮

ASK THE EXPERT ⑯

### DESCRIPTION

The 383 Series is a fixture designed for Explosion-Proof and Hazardous environments. The cast aluminum housing is completed with a heat and impact resistant globe. This product handles incandescent sources up to 300 watts but is limited to 75 watts in paint spray booth applications and features a single thumb screw for easy re-lamping. This product has multiple listings from UL and is UL844 listed.

### SPECIFICATIONS

**GENERAL:** For general purpose industrial, paint spray booth applications, wet/damp locations, hazardous locations, marine locations.

**LISTINGS:** Class I, Div. 1 and 2, Group C and D  
Incandescent Class II, Div. 1 and 2, Groups E, F and G  
Class III  
UL listed 844



250V AC MAX

**FEATURES:** Explosion proof incandescent fixture for Hazardous locations  
Corrosion resistant

**ELECTRICAL:** Easy relamping with single thumb screw.

**HOUSING:** Cast aluminum construction with epoxy powder coat finish  
Heat and impact resistant prismatic glass globe with die cast guard.

**REFLECTOR:** Optional dome or angle reflector. See next page.

**MOUNTING:** Pendant, Ceiling or Bracket  
Comes standard with 4 hub.

**APPLICATIONS:** Paint spray booth  
Wet/damp locations  
Marine locations  
General purpose industrial

**OPTIONS:** See next page

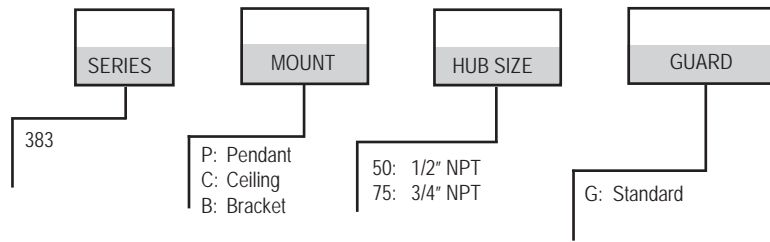


# 383 SERIES

## EXPLOSION PROOF INCANDESCENT

### PART NUMBERS

- ① TASK
- ② PAINTBOOTH
- ③ VAPOR DUST
- ④ VAPOR
- ⑤ WET DAMP
- ⑥ MARINE
- ⑦ EXPLOSION PROOF



NOTE:  
 • Standard Color: Gray  
 • Lamps available, consult factory for pricing



LISTINGS:

Maximum Wattage

Location Class	Div.	Operating Groups	Without Temp. code	W/Std. Dome Reflector	W/30' Dome Reflector	Reflector
I	1 & 2	C & D	T3C	300	300	300
	1 & 2	D	T4A	75	-	-
II	1 & 2	E & F	T3	200	150	200
	1 & 2	E, F & G	T3C	100	-	150
III	-	-	T3C	100	100	150



### OPTIONS

- ⑧ HID
- ⑨ INSPECTION
- ⑩ PORTABLE LIGHTING
- ⑪ MOUNTING
- ⑫ PHOTOMETRY
- ⑬ LAMPS BALLASTS
- ⑭ INFO
- ⑮ CUSTOM
- ⑯ ASK THE EXPERT

Standard Dome Reflector  
P/N 3918



Direct light down with a dome reflector. Highly reflective finish over heavy gauge aluminum base. Field installation with 4 screws. Does not fit EB bracket fixtures.

Angle Reflector  
P/N 3919



Direct light down and to the side with a 30° angle reflector. Highly reflective white epoxy finish over heavy gauge aluminum base. Field installation with 4 screws.

EXB 4 Hole Box  
P/N 3920



Explosion proof junction box for wiring or pendant fixture hanging. 4 NPT tapped hubs in sides. 3 close-up plugs provided. Blank 1/2" or 3/4" tapped covers.

EXB 8 Hole Box  
P/N 3921



Explosion proof junction box for wiring or pendant fixture hanging. 6 tapped hubs in sides, two in bottom. 7 close-up plugs provided. Blank 1/2" or 3/4" tapped covers.

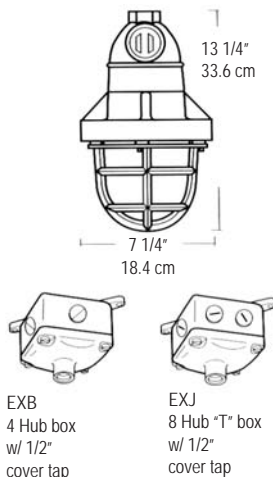
Exit Sign  
P/N 3922



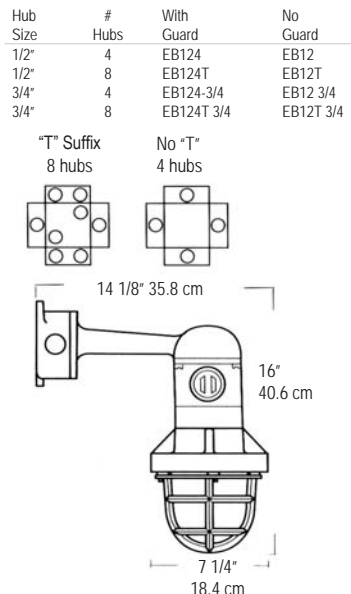
Optional Exit Sign fits over explosion proof light.

### DIMENSIONS

383 Pendant Mount



383 Bracket /BoxMount



383 Ceiling Mount

